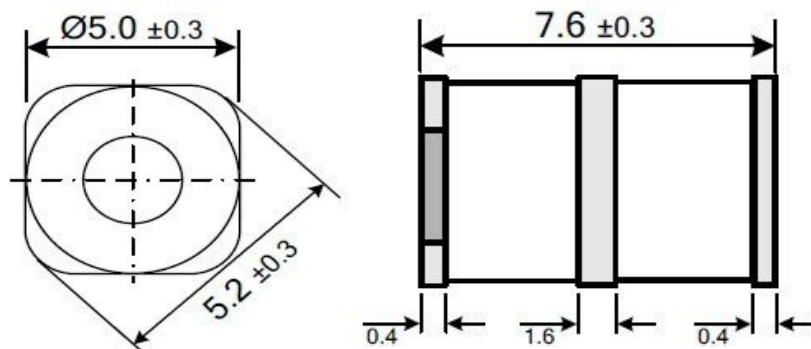


1: Dimension(mm)

Fast Delivery Time



3R90 Photo

2:Main Applications

- PCI Cards protection
- Telephone/Fax/Modem protection
- single line protection
- ADSL/XDSL Splitter,Power Supply
- Surge Protection Device/Surge Protector

3:Features

- 100% Lead-Free(RoHs Compliant)
- Non-Radioactive
- Low capacitance (≤1pF)
- Fast Response-time,High Insulation Resistance.
- Small size :Ø5x7.6(mm)

4 Electrical Characteristics

Part Number	DC Spark-over Voltage @ 100V/S	Impulse Spark-over Voltage @100V/μs	Impulse Spark-over Voltage @1KV/μs	Insulation Resistance	Impulse discharge current(8/20μs)		AC discharge current (50Hz,1s,10ti mes)	Capacitance (1MHz)
	V	V	V	GΩ	10 Times	1 Time	A	PF
3R75S	75±20%	<500	<600	>1	5KA	8KA	5	≤1
3R90S	90±20%	<500	<600	>1	5KA	8KA	5	≤1
3R150S	150±20%	<500	<600	>1	5KA	8KA	5	≤1
3R230S	230±20%	<600	<700	>1	5KA	8KA	5	≤1
3R250S	250±20%	<600	<700	>1	5KA	8KA	5	≤1
3R300S	300±20%	<800	≤ 900	>1	5KA	8KA	5	≤1
3R350S	350±20%	<900	≤ 1000	>1	5KA	8KA	5	≤1
3R400S	400±20%	<900	≤ 1000	>1	5KA	8KA	5	≤1
3R420S	420±20%	<900	≤ 1000	>1	5KA	8KA	5	≤1
3R470S	470±20%	<1100	≤ 1200	>1	5KA	8KA	5	≤1
3R500S	500±20%	<1100	≤ 1200	>1	5KA	8KA	5	≤1
3R600S	600±20%	<1200	≤ 1300	>1	5KA	8KA	5	≤1
3R800S	800±20%	<1300	≤ 1400	>1	5KA	8KA	5	≤1

Packing Quantity : 100PCS

Shen Zhen HuaXinAn Electronics Co.,Ltd

sales@huaandz.com

abc0734@126.com